



CONCRETE BOOM PUMPS

38 M

TRUCK SPECIFICATIONS

✉ sales@nexenboompumps.com.au

☎ 0419 672 015 | 0418 799 868

WWW.NEXENBOOMPUMPS.COM.AU



38 M

MODEL: NXCP38-Z5

Truck Mounted Specifications

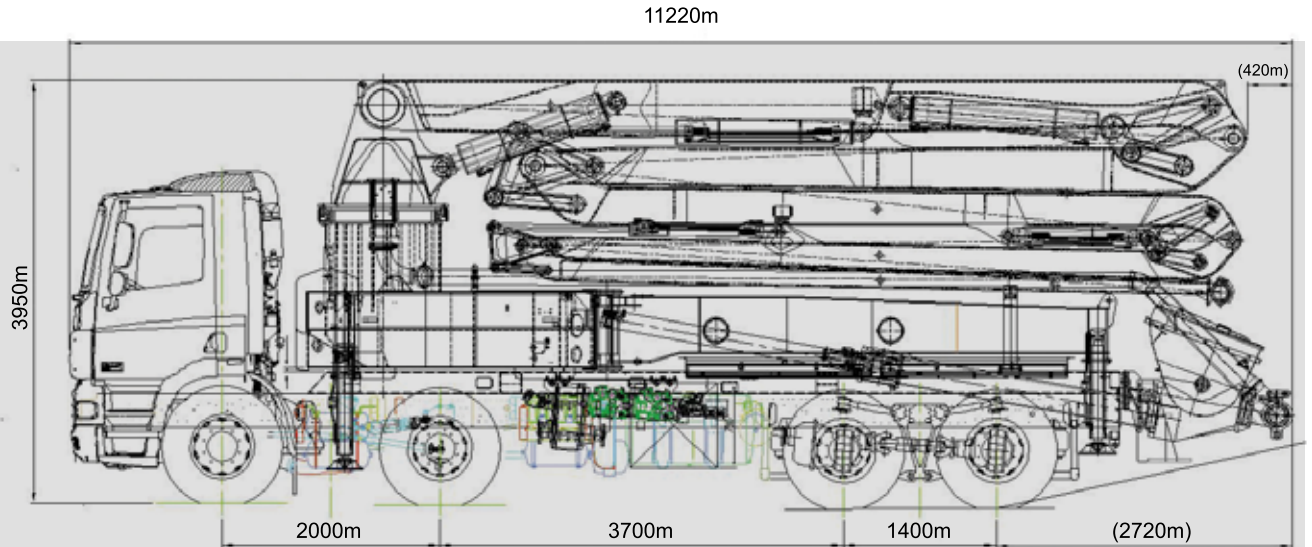
Chassis	DAF
Vehicle weight	29000 kg
Overall length	11220 mm
Overall width	2490 mm
Overall height	3950 mm
Wheelbase (mm)	2000+3700+1400

Boom

Section type	5 Section Z Type
Vertical reach	37.5 m
Horizontal reach	33.5 m
Pipe line diameter	125 mm (5")
Boom rotation (α°)	Continuous swing
Unfolding height	7.3 m
Front outrigger	6.3 m
Rear outrigger	8.2 m

✉ sales@nexenboompumps.com.au

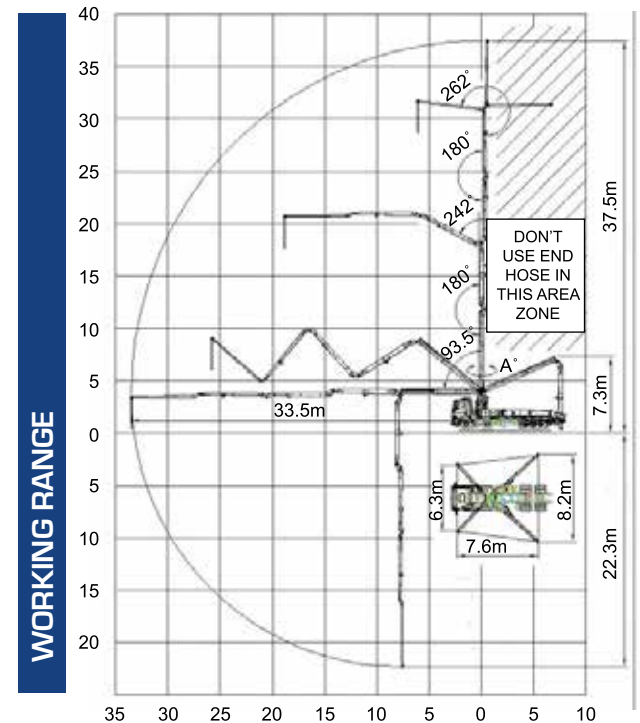
MODEL: NXCP38-Z5



Pumping System

	Rod side	150 m ³ /h
Max output	Piston side	100 m ³ /h
	Rod side	87 bar
Concrete Pressure	Piston side	130 bar
	Hydraulic system	Closed-loop
	Max working pressure	350 bar
	Concrete Cylinder	Ø 230 mm
	Stroke	2100 mm
	Hopper Capacity	600 L
	Water Tank Capacity	500 L

☎ 0419 672 015 | 0418 799 868



WORKING RANGE

WWW.NEXENBOOMPUMPS.COM.AU