



CONCRETE BOOM PUMPS

# 44 M

## TRUCK SPECIFICATIONS

✉ [sales@nexenboompumps.com.au](mailto:sales@nexenboompumps.com.au)

☎ 0419 672 015 | 0418 799 868

[WWW.NEXENBOOMPUMPS.COM.AU](http://WWW.NEXENBOOMPUMPS.COM.AU)



# 44 M

MODEL: NXCP44-Z5

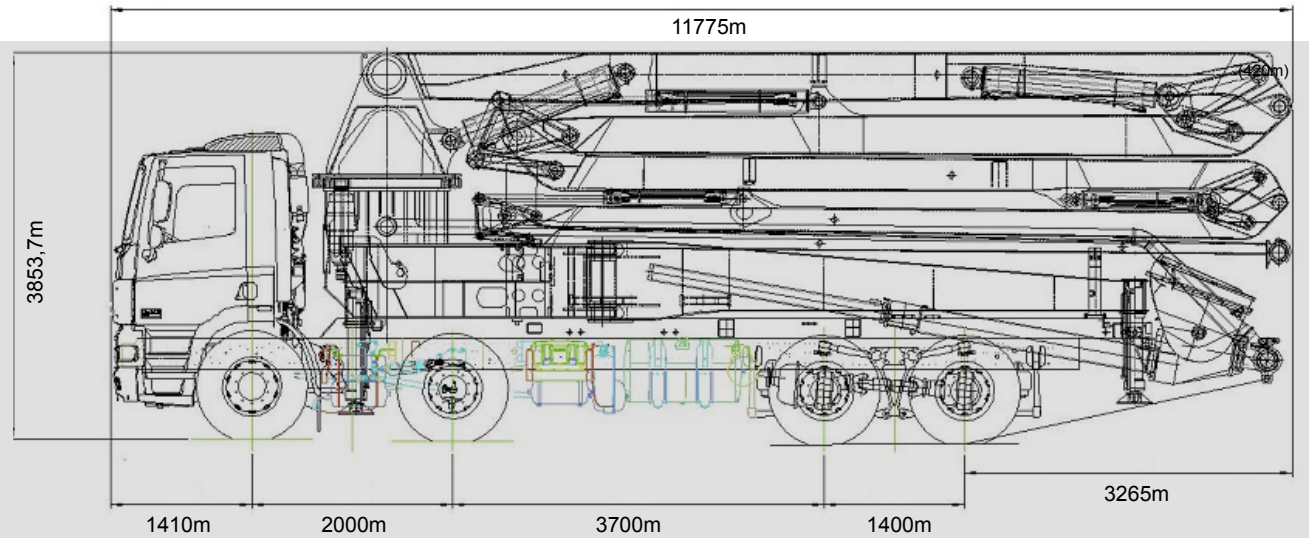
## Truck Mounted Specifications

Chassis	DAF
Vehicle weight	34000 kg
Overall length	11220 mm
Overall width	2490 mm
Overall height	3950 mm
Wheelbase (mm)	2000+3700+1400

## Boom

Section type	5 Section Z Type
Vertical reach	44.5 m
Horizontal reach	40.5 m
Pipe line diameter	125 mm (5")
Boom rotation ( $\alpha^\circ$ )	Continuous swing
Unfolding height	8.6 m
Front outrigger	8.8 m
Rear outrigger	9.9 m

MODEL: NXCP44-Z5



## Pumping System

	Rod side	150 m <sup>3</sup> /h
<b>Max output</b>	Piston side	100 m <sup>3</sup> /h
	Rod side	87 bar
<b>Concrete Pressure</b>	Piston side	130 bar
	Hydraulic system	Closed-loop
	Max working pressure	350 bar
	Concrete Cylinder	Ø 230 mm
	Stroke	2100 mm
	Hopper Capacity	600 L
	Water Tank Capacity	500 L

WORKING RANGE

