



CONCRETE BOOM PUMPS

36 M

TRUCK SPECIFICATIONS

✉ sales@nexenboompumps.com.au

☎ 0419 672 015 | 0418 799 868

WWW.NEXENBOOMPUMPS.COM.AU



36 M

MODEL: NXCP36-Z5

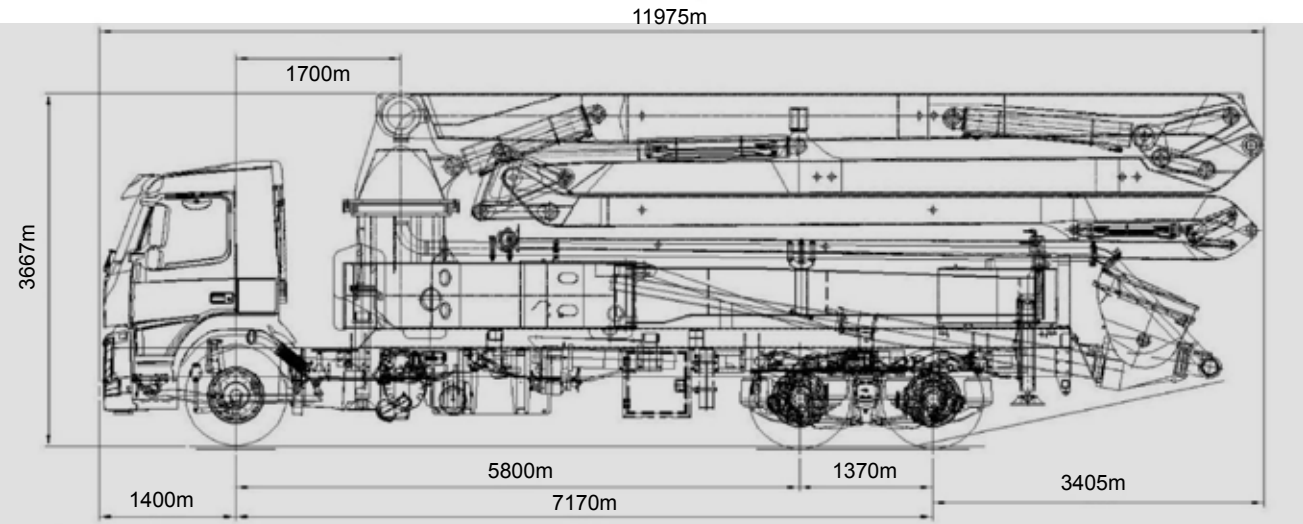
Truck Mounted Specifications

Chassis	UD 2PG-CW5CA
Vehicle weight	24450 kg
Overall length	11910 mm
Overall width	2490 mm
Overall height	3670 mm
Wheelbase (mm)	4800+1370

Boom

Section type	4 Section Z Type
Vertical reach	35.6 m
Horizontal reach	21.6 m
Pipe line diameter	125 mm (5")
Boom rotation (α°)	Continuous swing
Unfolding height	8.5 m
Front outrigger	6.34 m
Rear outrigger	8.05 m

MODEL: NXCP36W-Z5



Pumping System

	Rod side	150 m ³ /h
Max output	Piston side	100 m ³ /h
	Rod side	87 bar
Concrete Pressure	Piston side	130 bar
	Hydraulic system	Closed-loop
	Max working pressure	350 bar
	Concrete Cylinder	Ø 230 mm
	Stroke	2100 mm
	Hopper Capacity	500 L
	Water Tank Capacity	450 L

