



CONCRETE BOOM PUMPS

# 28 M

## TRUCK SPECIFICATIONS

✉ [sales@nexenboompumps.com.au](mailto:sales@nexenboompumps.com.au)

☎ 0419 672 015 | 0418 799 868

[WWW.NEXENBOOMPUMPS.COM.AU](http://WWW.NEXENBOOMPUMPS.COM.AU)



# 28 M

MODEL: NXCP120T-28Z4

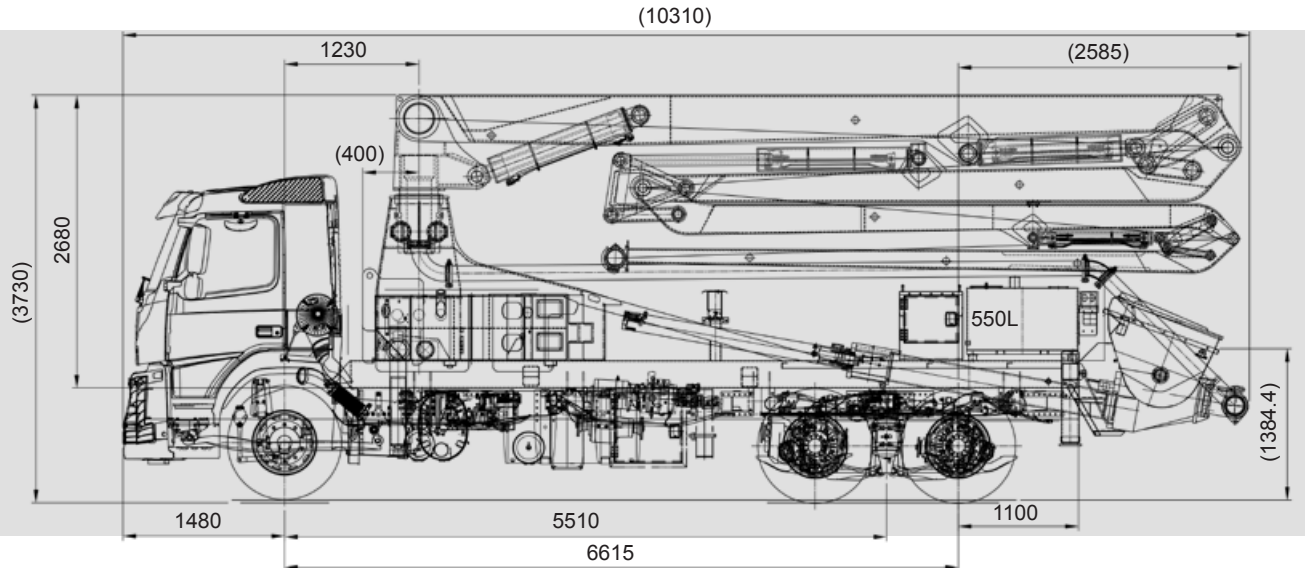
## Truck Mounted Specifications

Chassis	isuzu
Vehicle weight	21840 kg
Overall length	10310 mm
Overall width	2480 mm
Overall height	3730 mm
Wheelbase (mm)	5510

## Boom

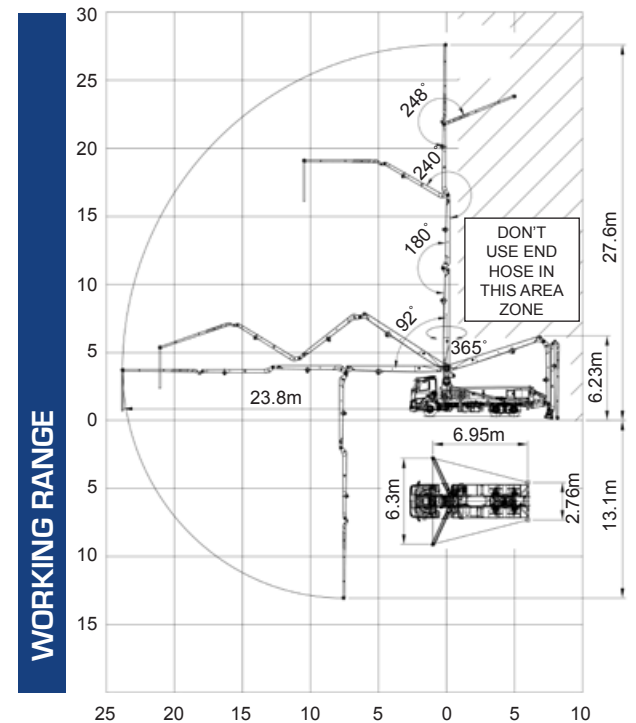
Section type	4 Section Z Type
Vertical reach	27.6 m
Horizontal reach	23.8 m
Pipe line diameter	125 mm
Boom rotation ( $\alpha^\circ$ )	365°
Unfolding height	6.23 m
Front outrigger	6.3 m
Rear outrigger	2.76 m

MODEL: NXCP120T-28Z4



## Pumping System

	Rod side	120 m <sup>3</sup> /h
<b>Max output</b>	Piston side	85 m <sup>3</sup> /h
	Rod side	84 bar
<b>Concrete Pressure</b>	Piston side	118 bar
	Hydraulic system	Closed-loop
	Max working pressure	350 bar
	Concrete Cylinder	Ø 230 mm
	Stroke	1620 mm
	Hopper Capacity	450 L
	Water Tank Capacity	600 L



WORKING RANGE